

26
kW

POWERPROTECT.
Standby Generators



More power than ever before. The 26kW¹ is the generator you pick when your whole home needs power and you need peace of mind. This first of its kind generator is powered with a commercial-grade Vanguard[®] engine for reliable, clean power and is designed to keep your home and family running no matter what is causing an outage.

FEATURES



Warranty

6-Year limited warranty of parts, labor, and travel included for the entire term. The industry's most comprehensive warranty over time.²



Industry's most powerful

Worry-free backup power with the industry's most powerful air-cooled generator.



Assembled and Engineered in USA

Briggs & Stratton generators are designed and assembled in the USA.³



Commercial-Grade Vanguard[®] Engine

Powerful commercial-grade engine built in the USA for commercial applications providing quality clean power for electronics.



Quiet Weekly Test Mode

70% quieter during weekly test mode.⁴



Flexible Installation & Maintenance

Approved for installation as close as 18" to a building⁵ with easy toolless panel removal for serviceability and maintenance.



Compatible Power Management Systems

Set your power priorities during an outage with Power Management, utilizing Symphony[®] II Power Management System or Amplify[™] Power Management.



Corrosion Resistant Enclosure & Base

Automotive grade galvanized to resist rust and powder-coated paint for years of protection against chips and abrasions.

26

kW

POWERPROTECT[®] Standby Generators



| Generator Set Rating | |
|------------------------------------------------------------|-------------|
| Model Name | PP26 |
| Model Number | 040658 |
| Running Watts (Liquid Propane/Natural Gas) kW ¹ | 26 / 24 |
| Running Amperage (Liquid Propane/Natural Gas) Amps | 108.3 / 100 |
| Voltage | 120 / 240 |
| Circuit Breaker Amps | 125 |

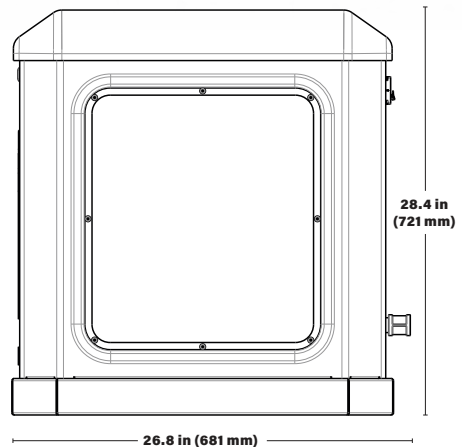
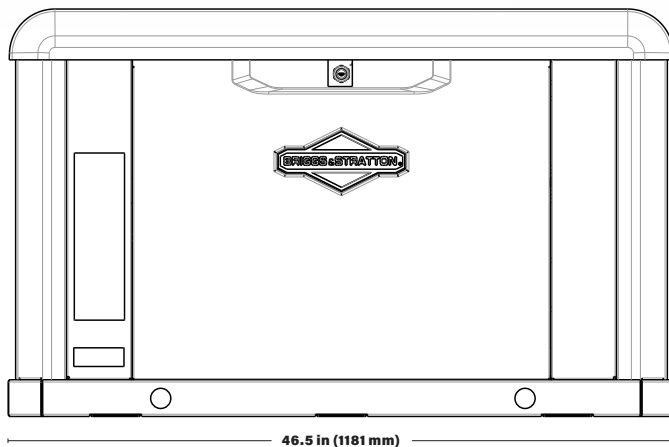
| Engine | |
|-----------------------------------|-----------------------|
| Manufacturer | Vanguard [®] |
| Frequency Regulation Steady State | +/-1.0% |

| Sound Rating ⁶ | |
|-------------------------------------|--------|
| Low Idle Mode Sound | 63 dBA |
| Normal Operating Sound ⁶ | 65 dBA |

| Fuel Consumption ⁷ | |
|-------------------------------|-----------------------------|
| No Load (BTU/hr) | NG - 122,000 / LP - 123,000 |
| Half Load (BTU/hr) | NG - 206,000 / LP - 235,000 |
| Full Load (BTU/hr) | NG - 323,000 / LP - 427,000 |

| Available Accessories | |
|-------------------------------|------|
| Engine Oil Heater | 6840 |
| Maintenance Kit | 6872 |
| Fuel Regulator Warmer | 6845 |
| Surge Protector | 6631 |
| Amplify Gateway | 6520 |
| UPS | 6581 |
| InfoHub™ Universal - Cellular | 6574 |
| Gateway Range Extender | 6839 |

| Product Dimensions | |
|-------------------------------|----------------------------------------|
| Overall Dimensions (in / mm) | 46.5 x 26.8 x 28.4 / 1181 x 681 x 721 |
| Assembled Weight (lbs / kg) | 540 / 245 |
| Packaged Dimensions (in / mm) | 48.8 x 30.5 x 50.5 / 1240 x 775 x 1283 |
| Packaged Weight (lbs / kg) | 625 / 285 |



¹ This generator is rated in accordance with UL (Underwriters Laboratories) 2200 (stationary engine generator assemblies) and CSA (Canadian Standards Association) standard C22.2 No. 100-14 (motor and generators).

² See operator's manual or BRIGGSandSTRATTON.com for complete warranty details.

³ Of global and U.S. parts.

⁴ Compared to full load based on lowest microphone at 7 meters.

⁵ The installation manual contains specific instructions related to generator placement in addition to NFPA 37, including the requirement that carbon monoxide detectors be installed and maintained in your home or business.

⁶ Per ISO 3744. Sound level measurement at other locations around generator may differ depending on installation, based on lowest microphone at 7m. Normal operation based on average household usage.

⁷ Fuel consumption rates are estimated based on normal operating conditions. Generator operation may be greatly affected by elevation and the cycling operation of multiple electrical appliances — fuel flow rates may vary depending on these factors.

Briggs & Stratton has a policy of continuous product improvement and reserves the right to modify its specifications at any time and without prior notice.

This standby generator is not for Prime Power applications.

Published June 2021. Please visit BRIGGSandSTRATTON.com for the latest information.

BS1299 - 6/21

BRIGGS & STRATTON
POST OFFICE BOX 702
MILWAUKEE, WI 53201 USA

Copyright © 2021 Briggs & Stratton. All rights reserved.